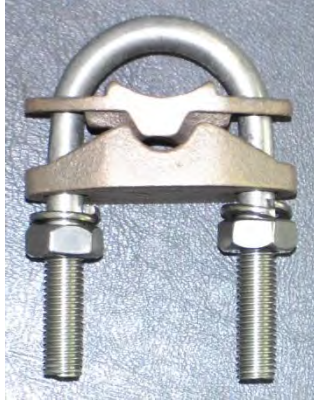


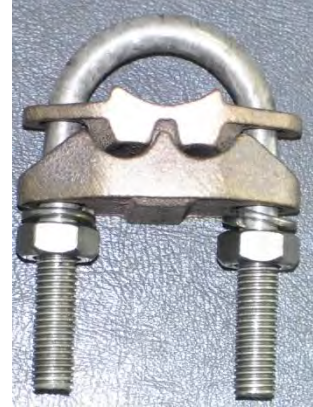
EARTH CLAMPS FOR CONNECTING EARTH WIRE TO PIPES OR FENCE POSTS



PEC26



PEC34



PEC34D



PEC43



PEC43D



PEC48D



PEC60T

Catalogue No.	Pipe Size (mm)		Cable Range	Weight (kg)
	I.D	O.D		
PEC26	19 (3/4")	26	16-120mm ²	0.315
PEC34	25 (1")	34	16-120mm ²	0.325
PEC34D	25 (1")	34	16-120mm ²	0.325
PEC43	32 (1 1/4")	43	16-120mm ²	0.435
PEC43D	32 (1 1/4")	43	16-120mm ²	0.435
PEC48D	38 (1 1/2")	48	16-120mm ²	0.450
PEC60T	51 (2")	60	16-120mm ²	0.760

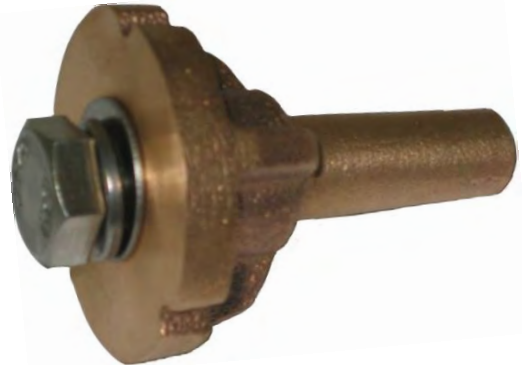
* All Clamps are in copper alloy. U-bolts, nuts and spring washers are stainless steel.

EARTH PLATES/STRUCTURAL CLAMPS and BARS

EP-2 – EARTH PLATE

EP-2

The Earth Plate system provides an earth connection welded to the steel reinforcement in areas such as buildings.



EP-3 - EARTH PLATE

Catalogue No. EP3

The Earth Plate system provides an earth connection welded to the steel reinforcement in areas such as buildings.

Bonding Cable - 70mm² (Other Size Cables Available)

Lug Hole Diameter - 10mm

Thread Type: M10 or M12

Depth of Thread: 20mm

Cable Length: To customer's requirements

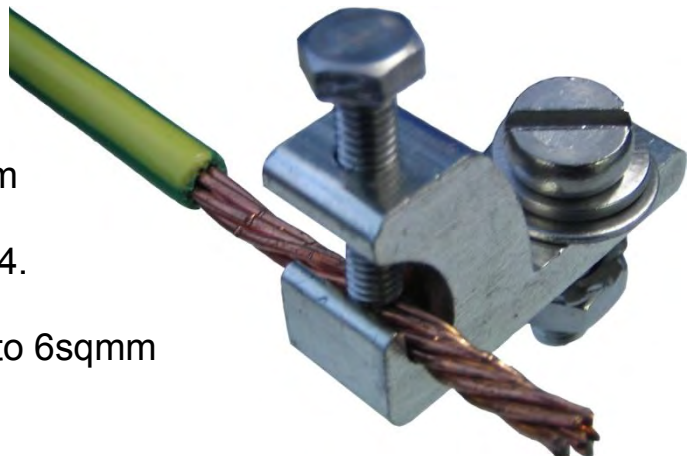


EARTH LUG FOR SOLAR PANELS

Catalogue No: ELSP-1

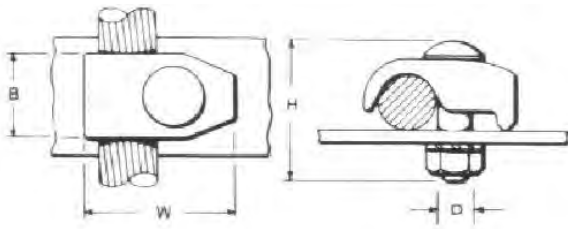
The Solar Panel Earth Lugs are made from Extruded Brass and Electro-Tin Plated.
All Hardware - Stainless Steel – Grade 304.

Designed for conductor sizes – 1.5sqmm to 6sqmm



GCS42 and GCS58 For clamping earth cable to metal - Hardware is Stainless Steel.

CATALOGUE NO.	CONDUCTOR RANGE		DIMENSION (mm)			
	mm ²	O.D. mm	W	B	H	D (Bolt Size)
GCS42	16-70	5.10-10.70	39	29.5	30	M10
GCS58	70-135	10.70-15.25	51	37	35	M12



GCS42



GCS58



EE437 and EE438

Catalogue No.	Description	Cable Range (mm ²)
EE437	Connection for Earth Wire to Flat bar or Structural Steel	40-135
EE438	Connection for Earth Wire to Flat bar or Structural Steel	150-240

EE438



EE437

CFBA – COPPER FLAT BAR – ANNEALED SOFT

Annealed Copper Pancake Coil:

Dimensions: 25x3mm

Weight: 33.5kg

Length: 50metres

Dimensions: 40x2.5mm

Weight: 36kg

Length: 40metres

Dimensions: 40x4mm

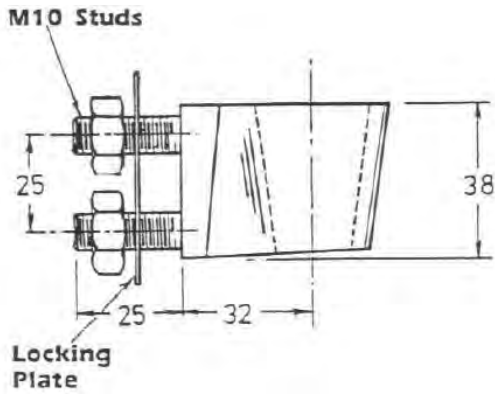
Weight: 35kg

Length: 25metres

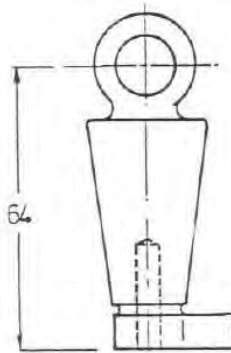
**Other sizes available upon request.



RECEPTACLE & PLUG EARTHING



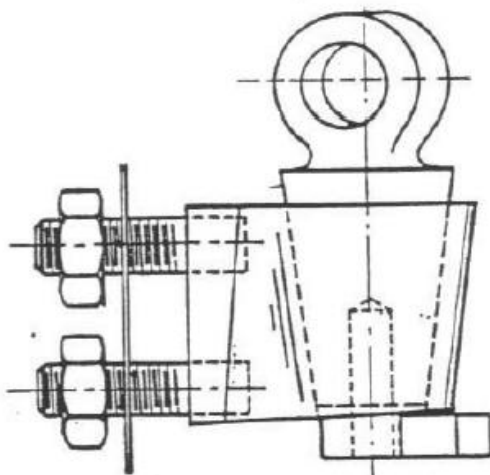
RECEPTACLE



PLUG



RECEPTACLE & PLUG
EARTHING ASSEMBLY



ASSEMBLY

RECEPTACLE & PLUG EARTHING 24kA:

To SECV Drawing - T14/562/128

Material: Leaded Gun Metal (85-5-5-5) & 304-305 Stainless Steel & Brass

Gauging: To Master Gauges - Go - NoGo Plug & Receptacle

Testing: 100% Gauged

Normal Supply: Complete assembly or each unit separately if required

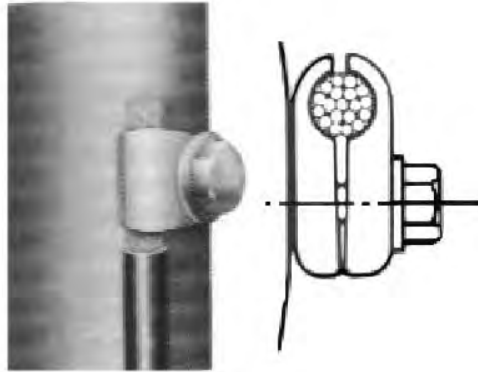
Packing Weights: 0.4kg per piece or 0.8kg Assembly approximately. Protected packing as required

* RECEPTACLE & PLUG EARTHING 30kA also available.

M3, M5 and M15/3– POLE EARTHING CLAMPS

M5 to suit 19/2.00 bare copper conductor. Made from forged brass Electro-Tin plated
Hardware supplied on request only.

M15/3 to suit 7/2.75 - 19/1.75 (8.25mm OD - 8.75mm OD). Made from cast Gunmetal and
can be supplied with hardware.



The pole earthing conductor is held by 2-half-clamps which directly attaches to the pole, as in diagram above.

M3



M5



M15/3



All sizes are to SECV specifications, Drawing No. VX14/7357. Z