

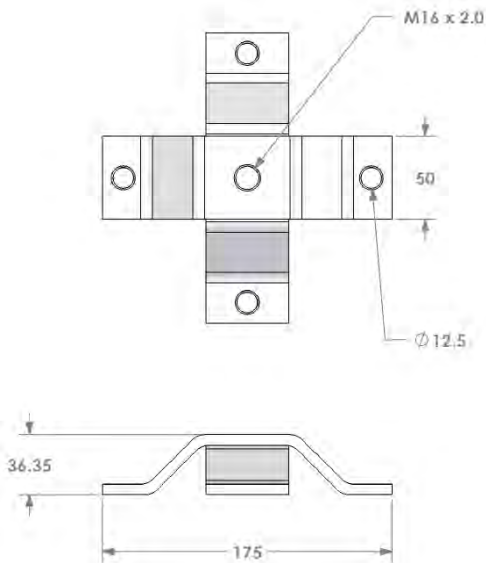
LIGHTNING FINIAL

Catalogue No.		Finial Length (mm) 'L'	Finial Diameter (mm) 'D'
Stainless Steel	Copper		
SLF10/500	CLF10/500	500	10
SLF10/1000	CLF10/1000	1000	10
SLF12/500	CLF12/500	500	12
SLF12/1000	CLF12/1000	1000	12
SLF16/1000	CLF16/1000	1000	16

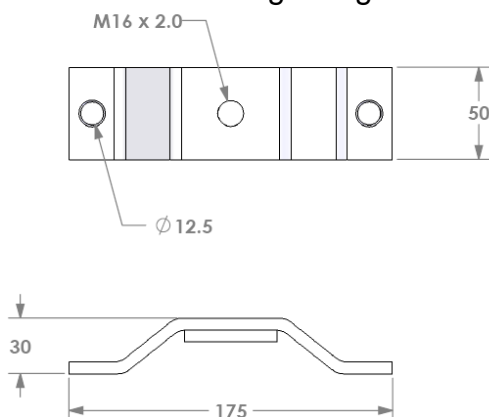
Available in high Conductivity Copper and Stainless Steel. End of finial is threaded and supplied with spring washer & nut for attachment to base. Standard lengths shown on chart. Specials made to order.

FINIAL BASE

Used in conjunction with Finial. Made from high strength Copper and Stainless Steel. All tapped holes are Metric M10, M12, and M16. Weight: 0.65kg

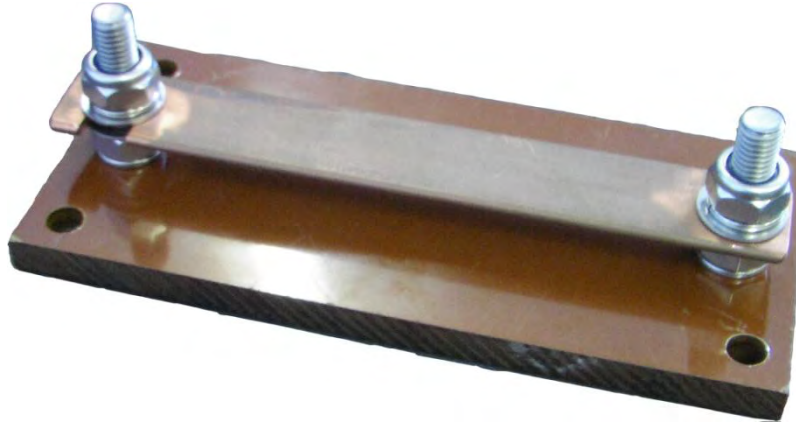


Also available as single Leg Finial Base or Right angle finial bracket.



DISCONNECTING TEST LINK – TL-1 and TL-2

TL-1 base material is phenolic resin with stainless steel studs, nuts and washers. Disconnect link is high conductivity copper. TL-2 is made with metallic channel base with stand-off insulators and copper disconnect link. Weight: 0.45kg



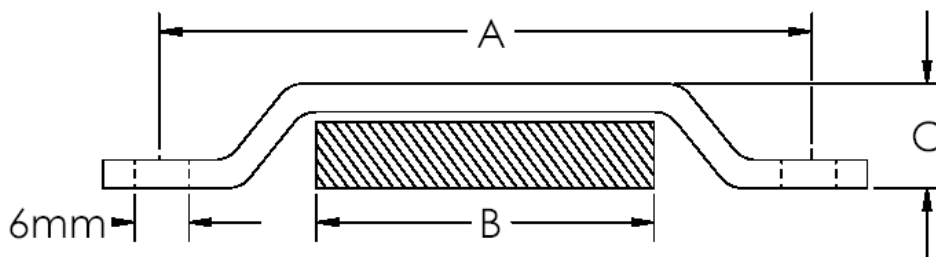
Dimension: 180mm L x 80mm W x 50mm H

SADDLE CLAMPS – SSA – Stainless Steel Saddle

CSA – Copper Saddles

Made from high quality copper and stainless steel. Please quote bus-bar size when ordering to receive correct clamp. e.g. SSA253 Stainless Steel or CSA253 Copper.

Busbar	A'	B'	C'
12mm x 1.5mm	40mm	12mm	1.5mm
19mm x 3mm	40mm	19mm	3mm
25mm x 3mm	40mm	25mm	3mm
25mm x 6mm	40mm	25mm	6mm
40mm x 3mm	52mm	38mm	3mm
40mm x 6mm	52mm	38mm	6mm
50mm x 3mm	64mm	50mm	3mm
50mm x 6mm	64mm	50mm	6mm

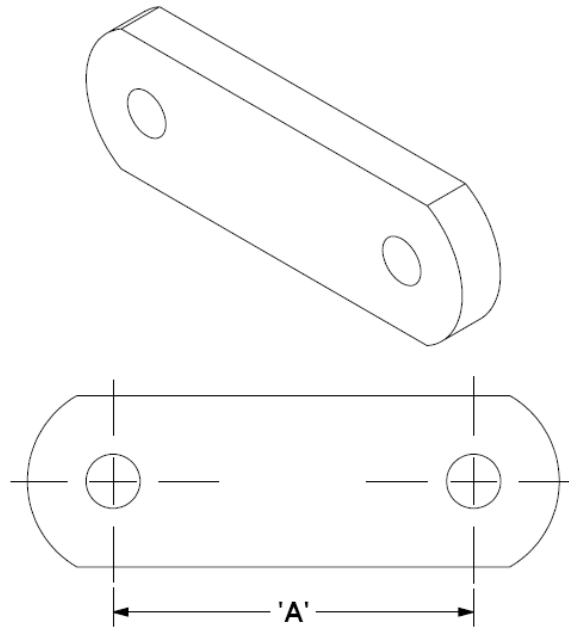


SADDLE CLAMP SPACER
SSP – Stainless Spacer
CSP – Copper Spacer
PSP – Plastic Spacer

Made from high quality copper and stainless steel. Used in conjunction with Saddle Clamps when bus-bar is to be elevated from wall or roof. Please quote busbar size when ordering to receive correct spacer.

e.g. SSP253 (Stainless Steel), CSP253 (Copper) OR PSP253 (Plastic).

Busbar	A'
12mm x 1.5mm	40mm
20mm x 3mm	40mm
25mm x 3mm	40mm
25mm x 6mm	40mm
40mm x 3mm	52mm
40mm x 6mm	52mm
50mm x 3mm	64mm
50mm x 6mm	64mm



PRESSURE PLATE TEST CLAMPS – PPTC

Made from high quality copper and stainless steel. Used for straight-through, cross or tee joints for bus-bars. Please quote bus-bar size when ordering, e.g. CPPTC253 (Copper) or SPPTC253 (Stainless Steel). Bus-Bar Sizes: 25mm x 3mm, 25mm x 6mm, 50mm x 3mm, 50mm x 6mm.

