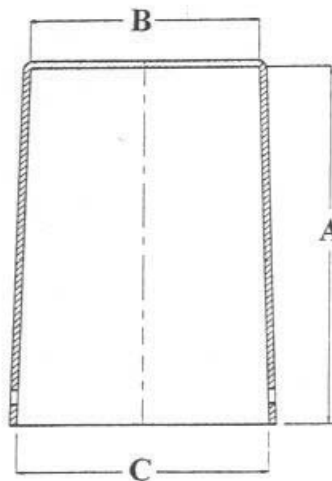
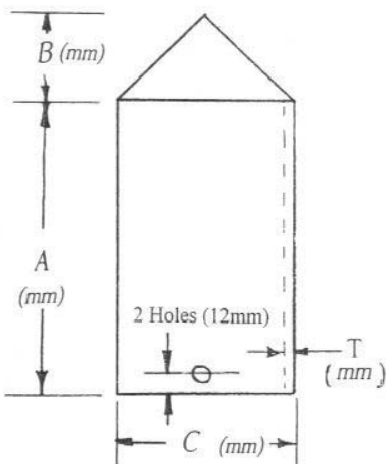


TERMINATION SHROUDS

PVC SHR1



PVC SHR4



CATALOGUE NO.	DESCRIPTION	SIZE				COLOUR
		A	B	C	T	
PVC SHR1	SHROUD TO SUIT MCB-1 MAINS BLOCK	90	55	65	2	BLACK
PVC SHR4	SHROUD TO SUIT MCB-2 MAINS BLOCK AMC2, AMC3 AND MCB3B	150	95	105		BLACK

Shrouds are used to cover electrical connections in Streetlight Columns, Pillar Boxes or on Aerial Connections. Made from Fire Retardant PVC Carbon Black Material. Two (2) holes are moulded into the bottom rim to allow a cable tie to hold the shroud in place.

Enable 3D View

Enable 3D View